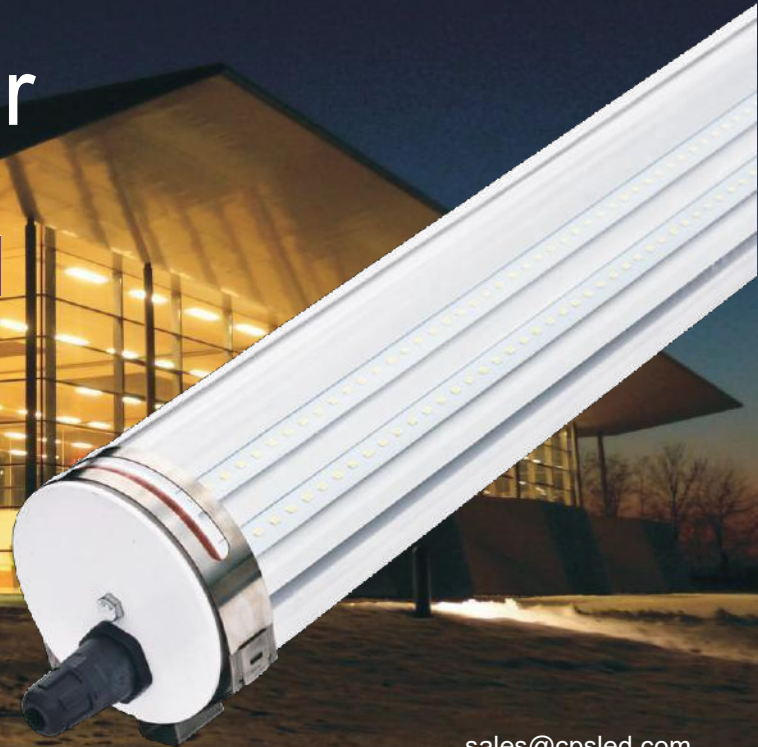


# Washdown Linear

## SPECIFICATION

IP68 LED Tri-proof Light



[www.cpsled.com](http://www.cpsled.com)

Tel: 843-407-6891

[sales@cpsled.com](mailto:sales@cpsled.com)

## Product Details

- IP68 Ti-proof Light
- F; Frosted Cover
- Length, 5: 5ft 150 cm
- Power consumption: 60w
- Color Temperature: 4000K, 5000K
- Function Type (B:Battery, Emergency Function; D: 0/1-10V dimmable; L: DALI dimmable

## Features

- Unique cylinder design, UL, DLC, CE, RoHs certified
- Protection degree: IP68 IK09
- PC material – UV resistance, high impact resistance, PMMA material – Ammonia resistance, corrosion resistance
- 130 lm/w
- Capable with emergency, 0~10V dimming, DALI dimming, Meanwell version
- L80B50(Ta=25 °C): 70,00 0hrs
- 5 years warranty

## Temperature

Operating: -20 ~ +50°C

Storage: -40 ~ +85°C

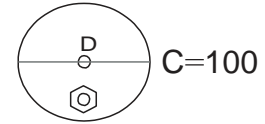
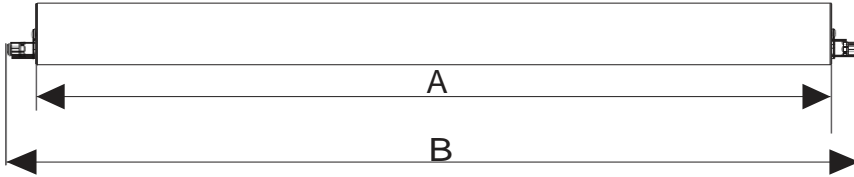
- Parking place
- Tunnel / Corridor / Gallery
- Railway / Bus / MTR Station
- Warehouse / Factory
- Agriculture
- Gas station / Car Washing



## Product Details



# Dimension



length

A

B

C

Min.mm

Min.mm

Max.mm

Min.mm

1500

1517

1607

1608

100

## Data Sheet

Size	Power	LEDs	Beam Angle	CRI	AC Input	DC Output	SDCM	Efficiency (±5%)	Lumen Output
------	-------	------	------------	-----	----------	-----------	------	------------------	--------------

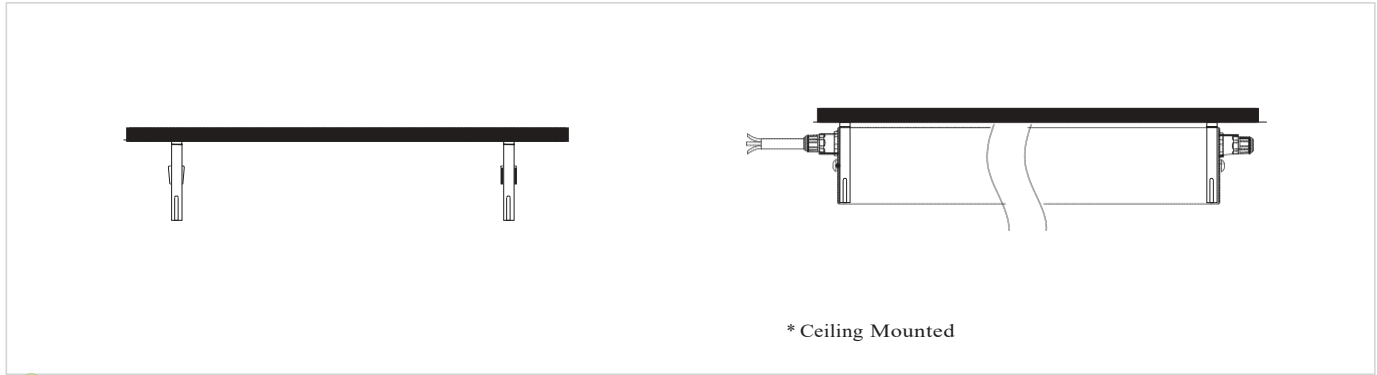
Premium Lumen Version

CPS-WDL-5-60W-UL-50	1500*Ø100mm	60W	384	120°	>80	200~240V/100~277V	30~40V	<4	130~150lm/w	7600~8800lm
---------------------	-------------	-----	-----	------	-----	-------------------	--------	----	-------------	-------------

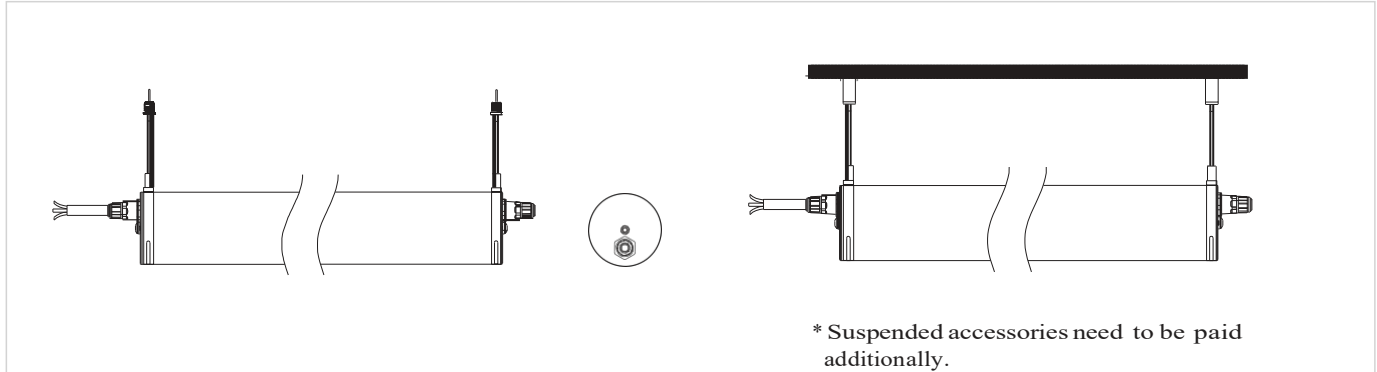
Different wattage can be customized

# Installation

## ① Ceiling Mounted Installation

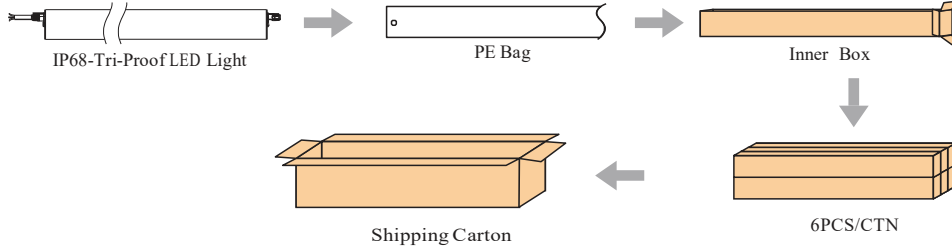


## ② Hanging Installation



# Package

ITEM CODE	DIMENSION	CARTON SIZE	N.W.(KG)/PC	G.W.(KG)/PC	20'GP	MAXIMUM LOADING	40'HQ
SL-P68X5-60-X	15128100MM	1670*350*245MM	3.1	25	220CTNS	454CTNS	519CTNS



- Reminding:**
1. Do not install this lamp into water directly to avoid any potential safety risks caused by AC input.
  2. Outdoor usage should be installed with shelter.